

DATASHEET



**Cotswold**  
Architectural Products



# EZ Egress Easy Clean Friction Stay

SP312EZ & SP316EZ

# EZ Egress Easy Clean Friction Stays

## Egress Easy Clean

- Combines Egress and Easy Cleaning in 3 simple steps.
- Initial opening to 85° providing a clear opening in excess of 450mm on a 600mm wide vent.
- Easy to operate thumb catches allow the vent to slide towards the centre of the opening, providing between 100 and 250mm gap for Easy Cleaning.
- Closing the window fully and re-opening will automatically reset the window back to egress position.
- All features operated from the handle (no drag & slide necessary).
- Unique fabricator aid to assist in supporting the vent whilst fitting hardware removes the need to block the window up or over tighten the friction grub screw.
- Complies with building regulations Approved Doc B1 (fire safety) for means of escape.
- Cycle tested with normal operation after 25,000 cycles.

## Egress Easy Clean Extreme

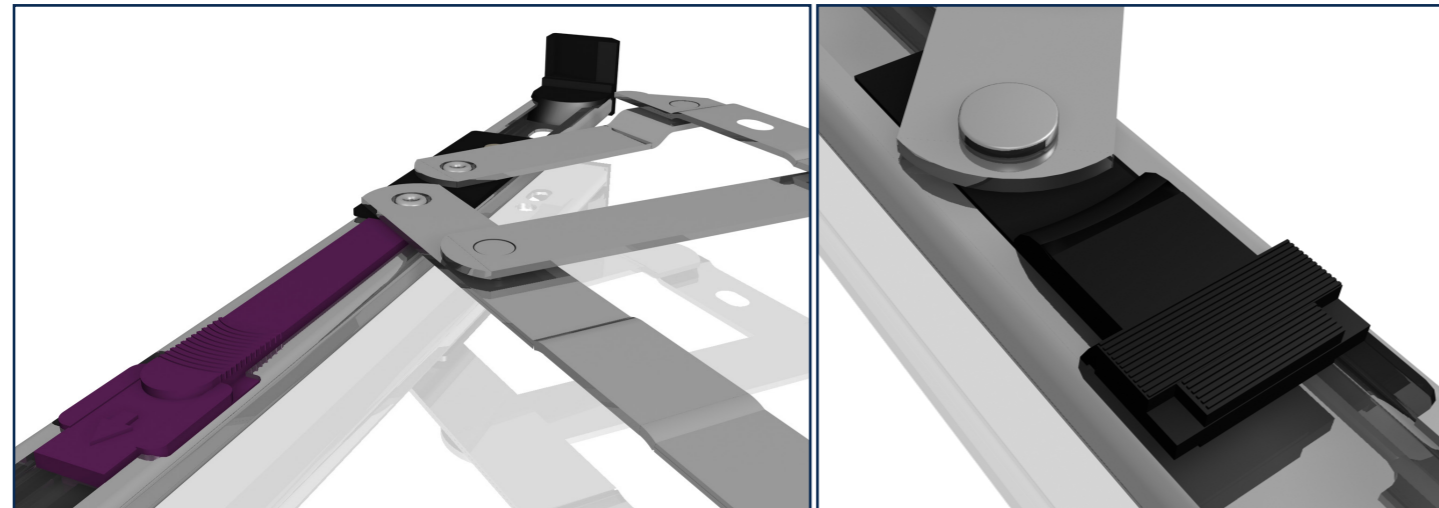
All of the above features, plus:

- Increased load capacity up to 30kgs (12") & 35kgs (16").
- Heavy-duty reinforced link arms to support larger and heavier windows.

## Recommended Maximum Window Weights and Rebate Sizes

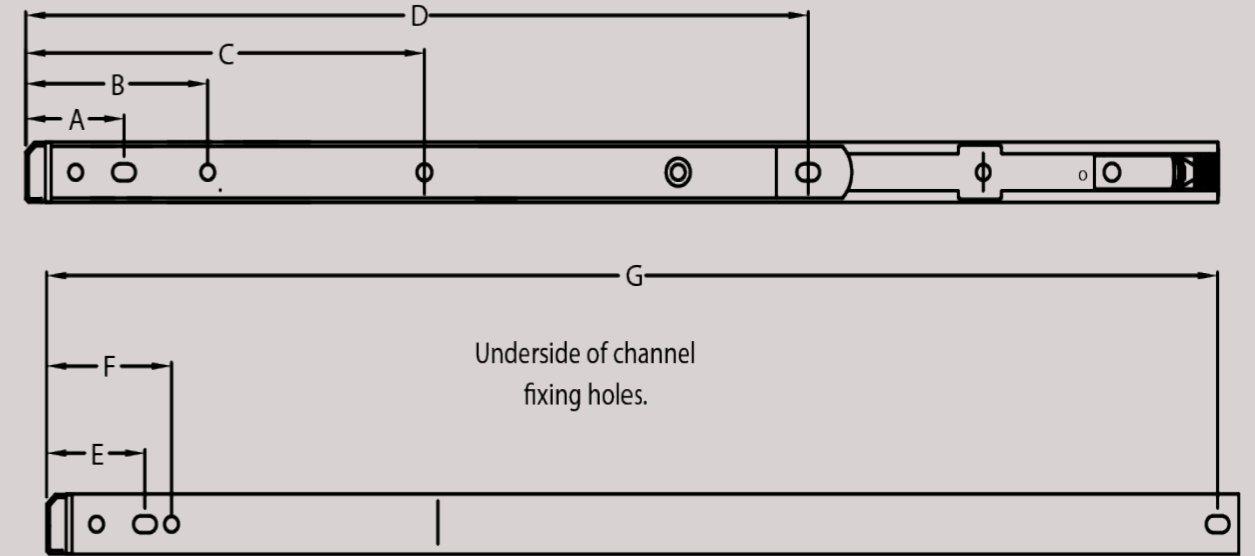
Product	Application	Size (Ins)	Size (mm)	Max. Vent Width (mm)	Max. Vent Height (mm)	Max. Vent Weight (kg)	Stack Height (mm)	Max. Opening Angle
SP312EZ	Side hung	12	311	600	1200	22	13.5/14.5 & 16/17	85°
SP1316EZ	Side hung	16	413	700	1200	24	13.5/14.5 & 16/17	85°
SP312EZ Extreme	Side hung	12	311	700	-	30	13.5/14.5 & 16/17	85°
SP1316EZ Extreme	Side hung	16	412	800	-	35	13.5/14.5 & 16/17	85°

**Note:** these friction stays are for side hung application only, therefore the critical maximum dimensions for sash width and weight are provided and must not be exceeded.



## Fixing Hole Details

Product	Stack Height	A	B	C	D	E	F	G
SP312EZ	13.5/14.5 & 16/17	34.65	63.00	-	209.0	32.8	42.6	305.1
SP1316EZ	13.5/14.5 & 16/17	34.65	-	137.0	271.0	32.8	42.6	407.5



## Optimum Performance Tested to last

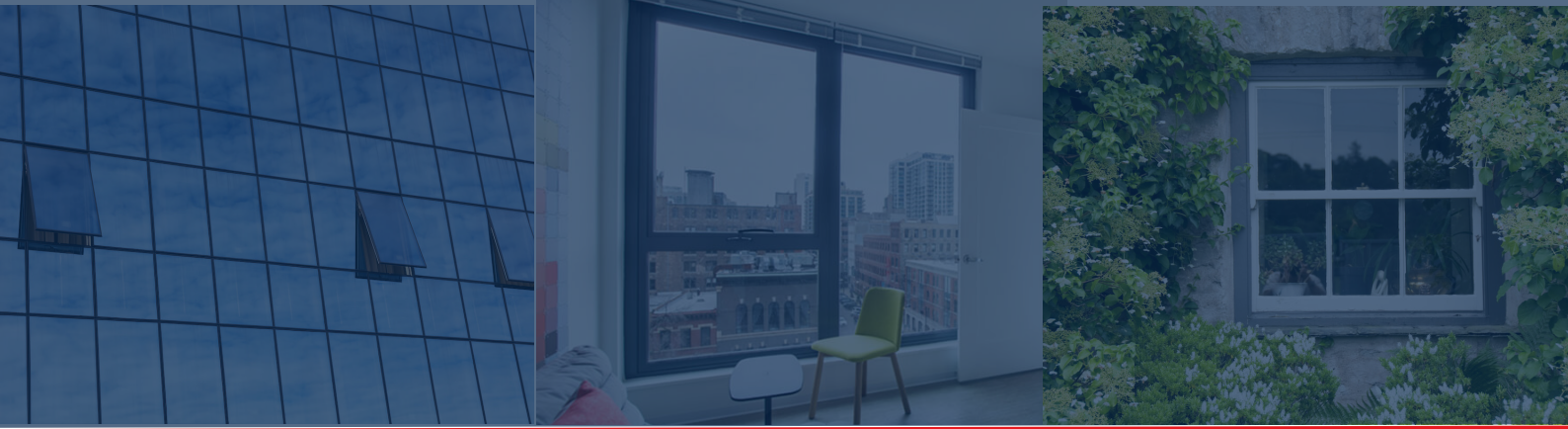
- Fire safety compliant for means of escape in line with Approved Document B1.
- BBA certified.
- Cycle tested to 25,000 cycles with no loss of function in accordance with BSEN 1191:2012 and exceeding class 3.
- Available in both Ferritic and Austenitic steel for high corrosion resistance. Tested to Grade 5 (480 hours) exposure in accordance with BS EN 1670:2007.

**Note:** For larger or heavier sashes, all sash fixings should pick up reinforcement to ensure consistent performance.



**When fitting the Cotswold Easy Clean Friction Stays, please observe BS8213 Part1:2004 Code of practice for safety in use and during cleaning of windows.**

**It is the responsibility of the window manufacturer to ensure that the finished window meets the required safety and performance specifications.**



[www.cotswoldap.com](http://www.cotswoldap.com)

**At Cotswold Architectural Products, every component is engineered for precision, durability, and strength. Trusted by professionals worldwide, we deliver performance you can rely on.**

Every effort has been made to ensure the information in this datasheet is accurate at the time of publication. Cotswold Architectural Products Ltd reserves the right to make changes without prior notice.

Copyright 2025,  
Cotswold Architectural Products Ltd



GLASS AND GLAZING FEDERATION



**Cotswold Architectural Products Ltd**

Manor Road  
Cheltenham  
Gloucestershire  
GL51 9SQ

Tel: +44 1242 233993  
Email: [info@cotswoldap.com](mailto:info@cotswoldap.com)

