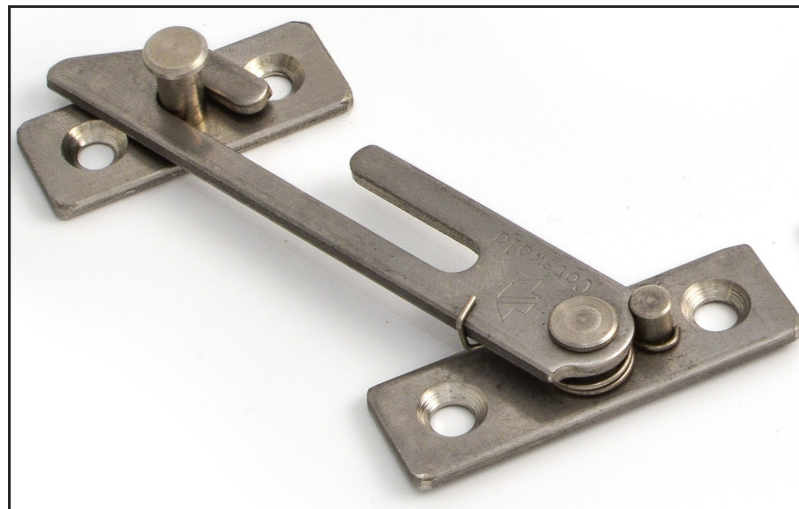


AutoLatch Cavity  
Restrictor

# AutoLatch Cavity Restrictor

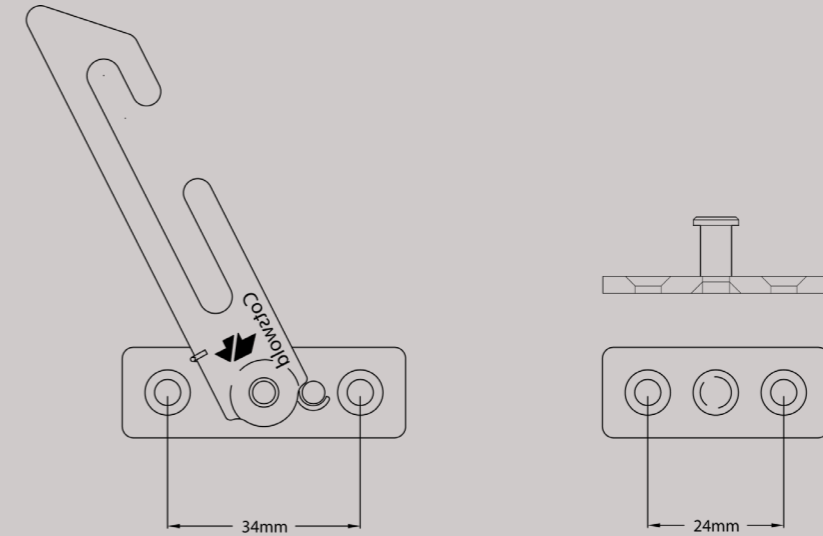
The Cotswold's Auto latch Cavity Restrictor is designed for child safety and to limit the window opening to no more than 100mm when in the restricted position.

- Tested to BS6375-2:2009 to withstand a force of 350N
- Available in both Left or Right hand.
- Stud heights in 9.5mm, 10.5mm, 11.5mm 13.5mm and 14.5mm
- The restrictor arm is spring loaded for quick release and will automatically reset when the window is closed.
- Can be fitted as a standard or retro fit item.
- Easy to fit with no routing required.
- Manufactured using high grade Austenitic Stainless Steel for enhanced corrosion resistance.

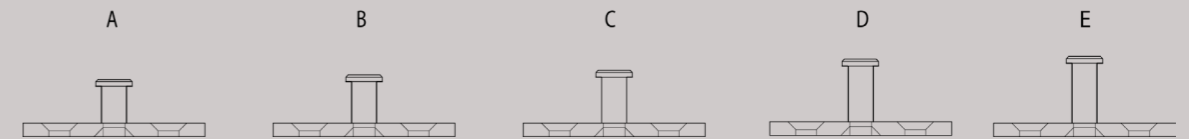


## Autolatch cavity restrictor pin heights

REFERENCE	A	B	C	D	E
PIN HEIGHT	9.5MM	10.5MM	11.5MM	13.5mm	14.5MM



ALWAYS CONFIRM RECOMMENDED SCREWS WITH SCREW SUPPLIER



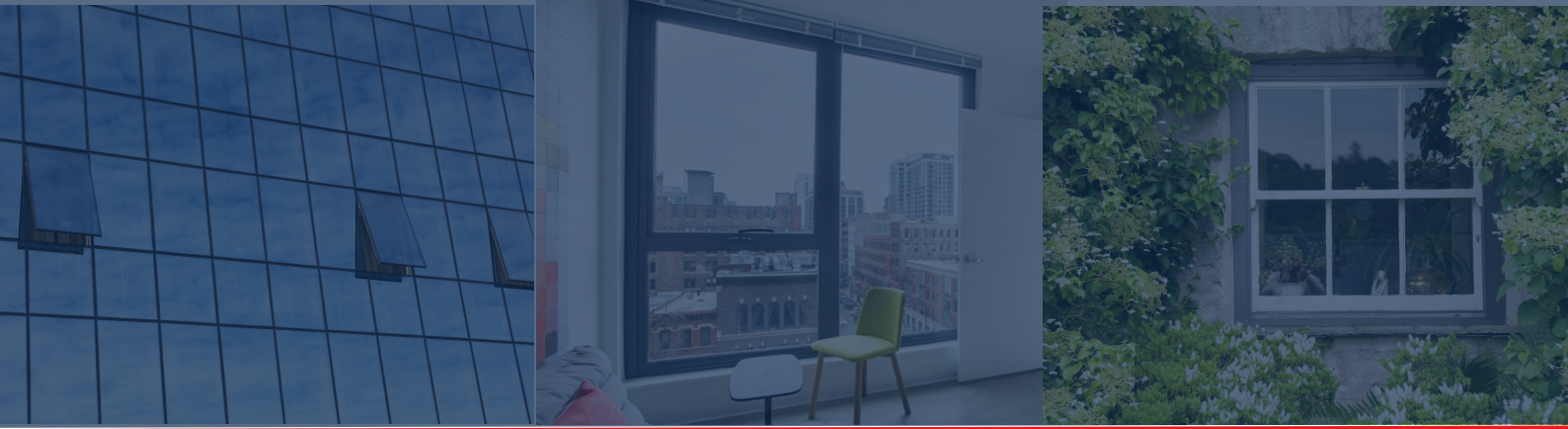
## Optimum Performance Tested to last

- BBA certified.
- Tested to BS6375-2:2009 to withstand a force of 350N
- Manufactured using high grade Austenitic Stainless Steel

Note: For larger or heavier sashes, all sash fixings should pick up reinforcement to ensure consistent performance.



It is the responsibility of the window manufacturer to ensure that the finished window meets the required safety and performance specifications.



[www.cotswoldap.com](http://www.cotswoldap.com)

**At Cotswold Architectural Products, every component is engineered for precision, durability, and strength. Trusted by professionals worldwide, we deliver performance you can rely on.**

Every effort has been made to ensure the information in this datasheet is accurate at the time of publication. Cotswold Architectural Products Ltd reserves the right to make changes without prior notice.

Copyright 2025,  
Cotswold Architectural Products Ltd



**Cotswold Architectural Products Ltd**

Manor Road  
Cheltenham  
Gloucestershire  
GL51 9SQ

Tel: +44 1242 233993  
Email: [info@cotswoldap.com](mailto:info@cotswoldap.com)

