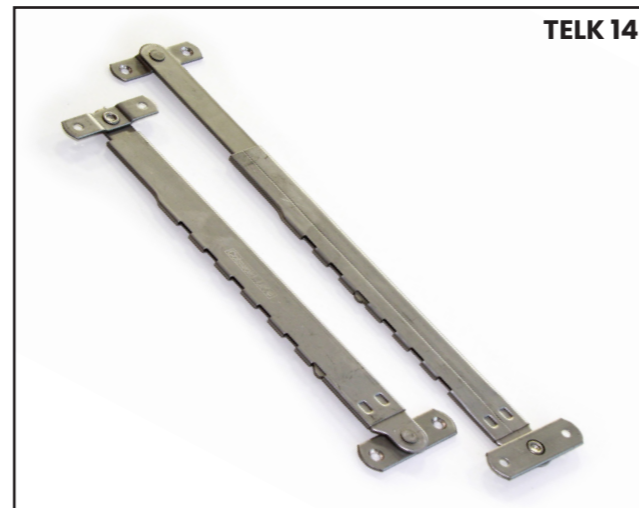
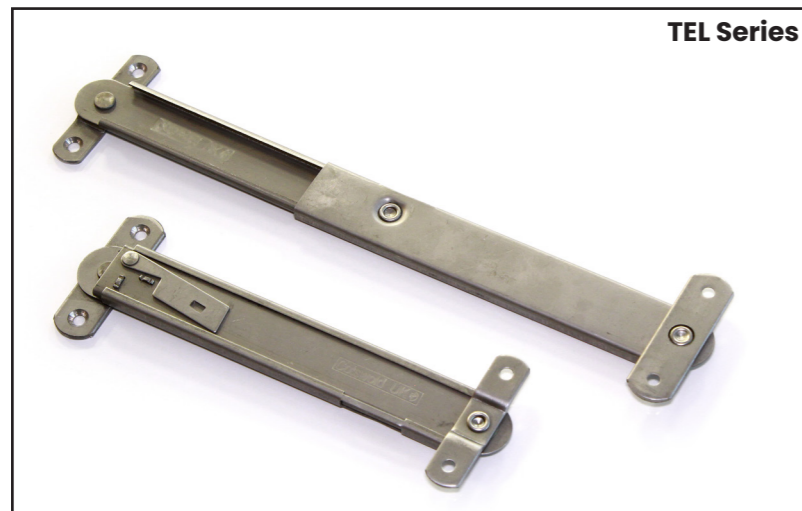


# Telescopic Support Arms

# Telescopic Support Arms

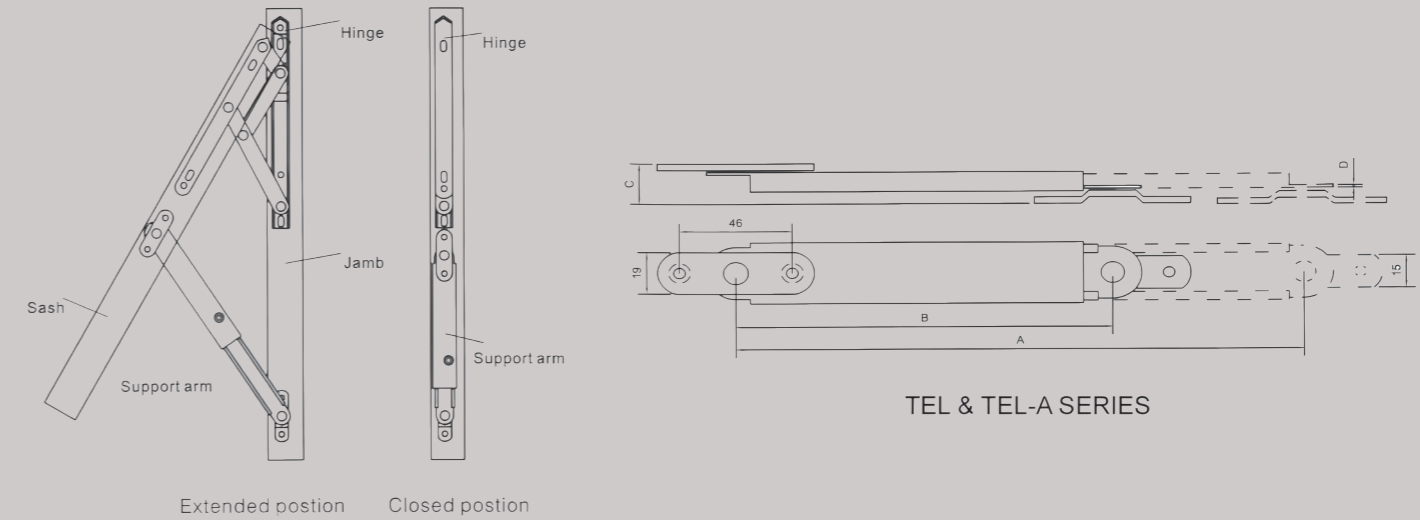
**On top hung windows supported by standard butt hinges the Telescopic support arm offers distinct advantages over the conventional peg stay. It is totally concealed when the vent is closed and offers no internal obstruction when opened.**

- For large top hung vents the Telescopic arm can be used as an extra support by fitting it below the existing friction stay. This has the effect of limiting the opening as well as adding greater stability to the window.
- TEL series offer a single point of restriction to the opening limit of the window. The vent can be held open for ventilation and to prevent sudden closing during wind gusts. To unlock the support arms from its opening position, simply lift the sash slightly and close.
- TELK-14" all the benefits of the TEL series but with the added benefit of multiple stop positions. The vent can be held open to a desired position for ventilation.
- Manufactured from high grade Austenitic Stainless Steel for enhanced corrosion resistance.



## Telescopic support Arm - Technical Data

SIZE	A	B	C	D
TEL-8"	203	155	16	1.0
TEL-10"	253	180	16	1.0
TEL-12"	305	205	16	1.0
TEL-14"	354	230	16	1.0
TEL-16"	408	257	16	1.0
TEL-20"	514	310	16	1.0



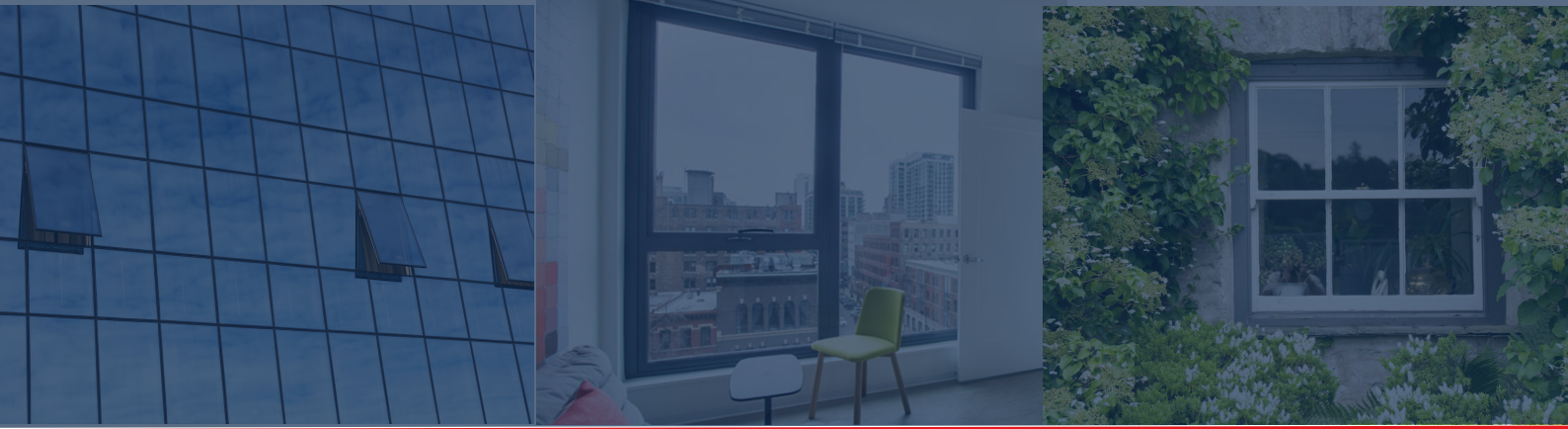
## Optimum Performance Tested to last

- BBA certified.
- Manufactured from high grade Austenitic Stainless Steel.

Note: For larger or heavier sashes, all sash fixings should pick up reinforcement to ensure consistent performance.

**It is the responsibility of the window manufacturer to ensure that the finished window meets the required safety and performance specifications.**





[www.cotswoldap.com](http://www.cotswoldap.com)

**At Cotswold Architectural Products, every component is engineered for precision, durability, and strength. Trusted by professionals worldwide, we deliver performance you can rely on.**

Every effort has been made to ensure the information in this datasheet is accurate at the time of publication. Cotswold Architectural Products Ltd reserves the right to make changes without prior notice.

Copyright 2025,  
Cotswold Architectural Products Ltd



GLASS AND GLAZING FEDERATION



**Cotswold Architectural Products Ltd**

Manor Road  
Cheltenham  
Gloucestershire  
GL51 9SQ

Tel: +44 1242 233993  
Email: [info@cotswoldap.com](mailto:info@cotswoldap.com)

