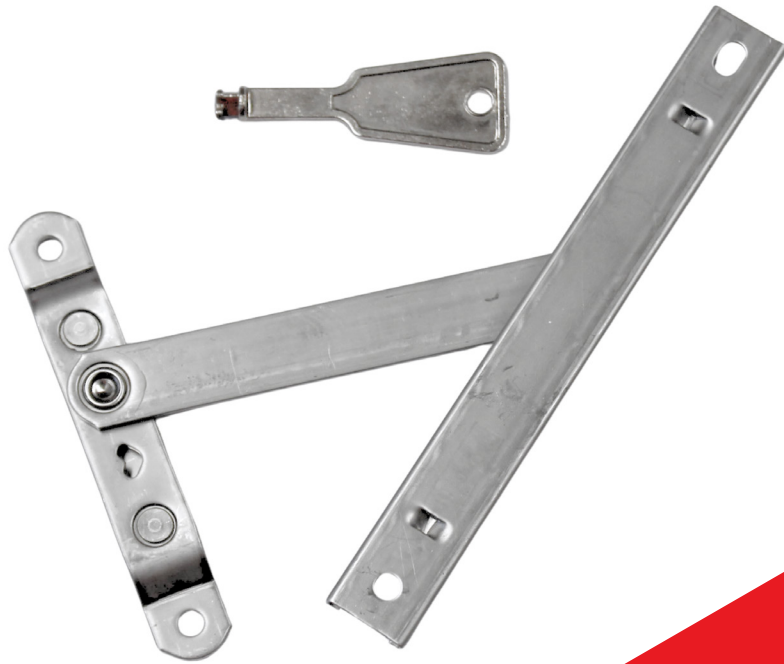


DATASHEET



# Locking Friction Arms

SDR100

# Locking Friction Arms

## SDR100

The detachable key release friction arm provides the ability to permanently restrict the window opening but with use of a special key an authorised user can simply detach the engagement of the restrictor arm for wider opening.

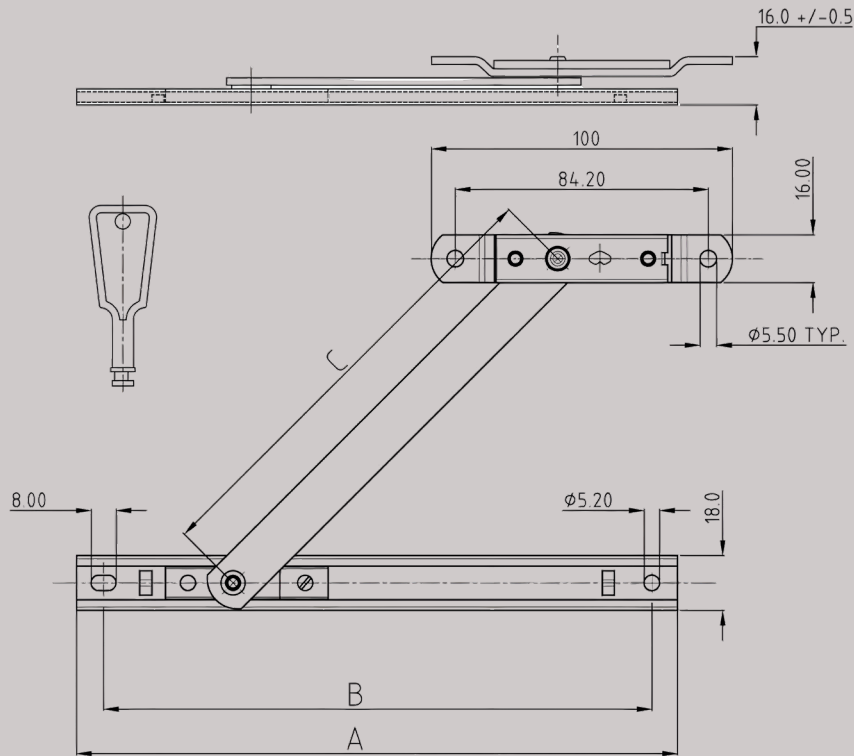
- Can be used on top hung and side hung vents.
- For use in a 16mm-17mm cavity.
- Manufactured using high grade Austenitic Stainless Steel for enhanced corrosion resistance.
- Non handed product.
- Easy to fit no routing required.
- Suitable for use on Timber, uPVC and Aluminium windows
- Can be used on windows without reinforcement.
- Independently tested to comply with the requirements of BS EN 14351-1: 2006 +A1: 2010 load bearing capacity of safety devices.

**IMPORTANT: Access to the key release can be restricted in certain window applications. It is the fabricators responsibility to ensure the window application allows access to the key mechanism.**



## Locking Friction Arm – Sizes & Measurements

PRODUCT	A	B	C
SDR 6"	149.5	140.5	101.6
SDR 8"	199.5	182.0	152.0



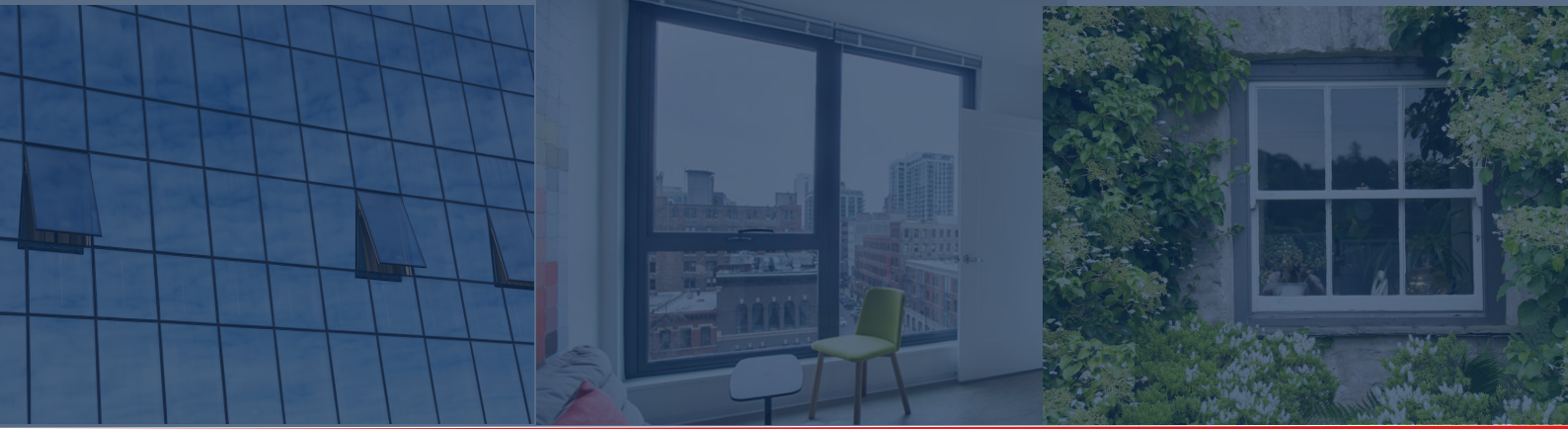
## Optimum Performance Tested to last

- BBA certified.
- Independently tested to comply with the requirements of BS EN 14351-1: 2006 +A1: 2010 load bearing capacity of safety devices.
- Manufactured using high grade Austenitic Stainless Steel for enhanced corrosion resistance

Note: For larger or heavier sashes, all sash fixings should pick up reinforcement to ensure consistent performance.



**It is the responsibility of the window manufacturer to ensure that the finished window meets the required safety and performance specifications.**



[www.cotswoldap.com](http://www.cotswoldap.com)

**At Cotswold Architectural Products, every component is engineered for precision, durability, and strength. Trusted by professionals worldwide, we deliver performance you can rely on.**

Every effort has been made to ensure the information in this datasheet is accurate at the time of publication. Cotswold Architectural Products Ltd reserves the right to make changes without prior notice.

Copyright 2025,  
Cotswold Architectural Products Ltd



**Cotswold Architectural Products Ltd**

Manor Road  
Cheltenham  
Gloucestershire  
GL51 9SQ

Tel: +44 1242 233993  
Email: [info@cotswoldap.com](mailto:info@cotswoldap.com)

