

Heavy Duty
Friction Stay Accessories

Heavy Duty Friction Stay Accessories

ABI Adjustment Block

- Cotswold's Heavy Duty Friction Stay Adjustment Block is compatible with all of Cotswold's Heavy Duty Friction Stays.
- Provides up to 5mm of vertical adjustment using a hexagon key.
- Safe, on-site alignment of heavy windows – up to 180kgs
- Supports the weight of the window, whilst making final adjustments by a single person on-site.
- Easy to fit – slots straight in to the end track of the friction stay.
- For 16-17mm cavity profiles.

Locking Wedge

- Ensures positive closure of casement windows
- Locking Wedges assist in maintaining an effective weather seal, to improve weather performance.
- Weather seal compression can be adjusted by moving the vent locking wedge.
- Helps to prevent sashes from bowing, particularly on large / wide windows.
- Can be fitted as a standard or retro fit item.
- For 16-17mm cavity profiles.
- Easy to fit with no routing required.
- No maintenance.

Part Codes

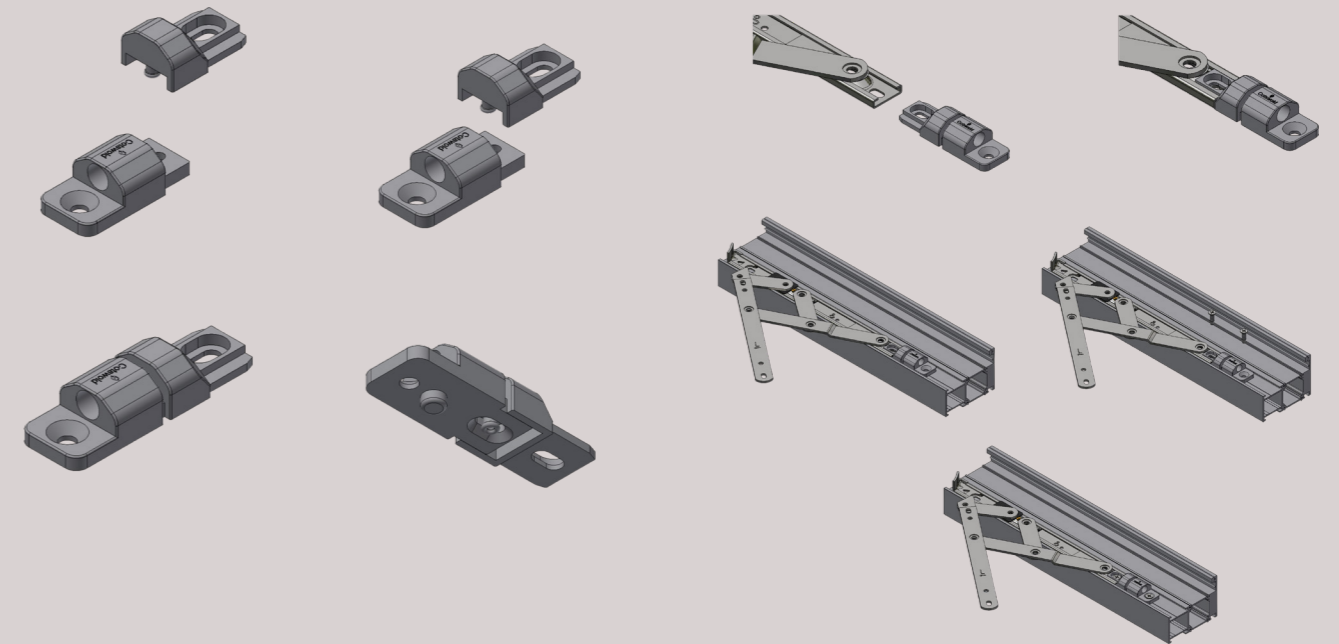
Product Code	Description
ABI	Adjustment Block
92001	Locking Wedge



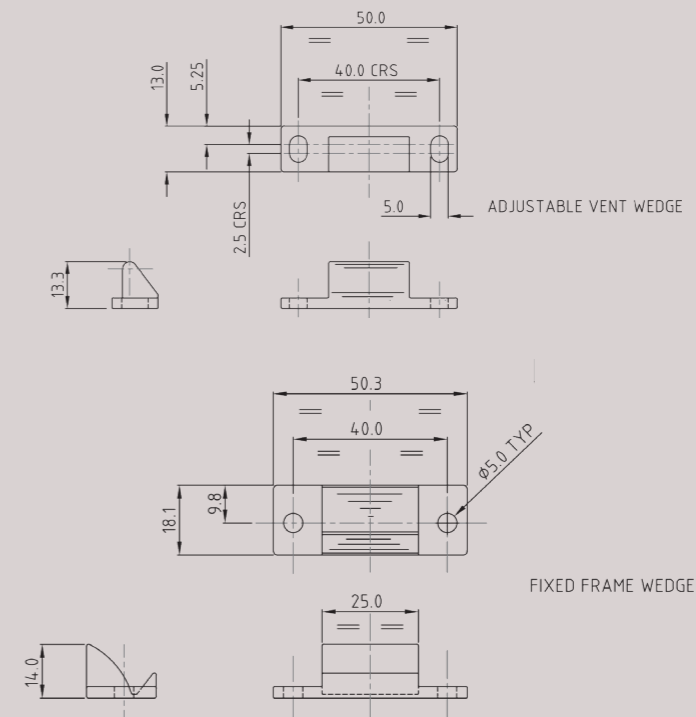
Adjustment Block

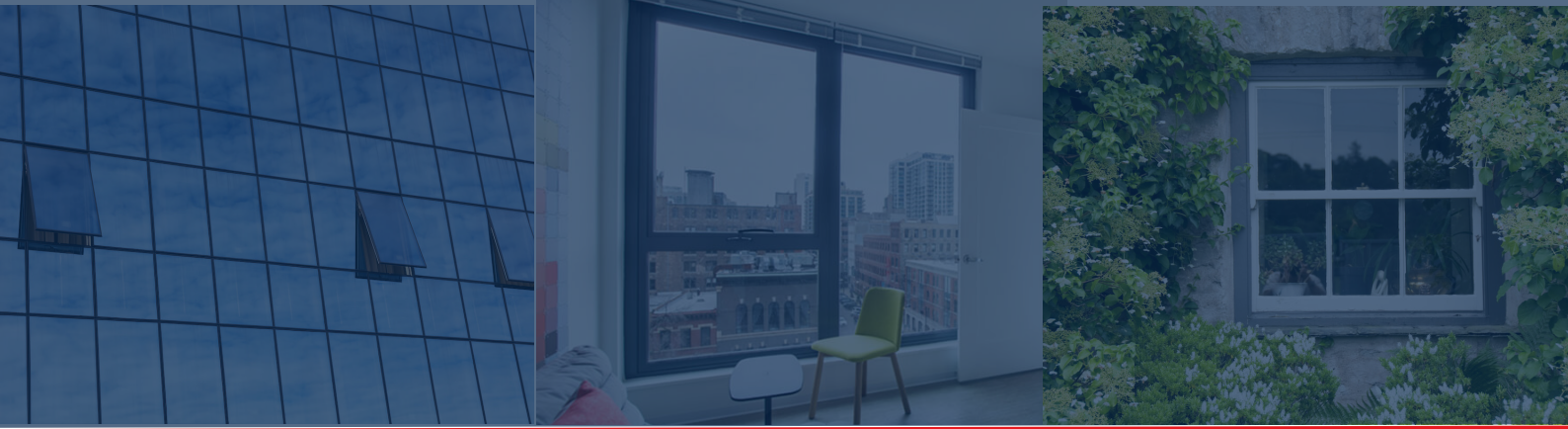
1. Place the 2 parts together, ensuring the pin fits through the mating slot fully.

2. Fit the 2 reassembled parts to the friction stay and mount to the window frame.



Locking Wedge





www.cotswoldap.com

At Cotswold Architectural Products, every component is engineered for precision, durability, and strength. Trusted by professionals worldwide, we deliver performance you can rely on.

Every effort has been made to ensure the information in this datasheet is accurate at the time of publication. Cotswold Architectural Products Ltd reserves the right to make changes without prior notice.

Copyright 2025,
Cotswold Architectural Products Ltd



GLASS AND GLAZING FEDERATION



Cotswold Architectural Products Ltd

Manor Road
Cheltenham
Gloucestershire
GL51 9SQ

Tel: +44 1242 233993
Email: info@cotswoldap.com

